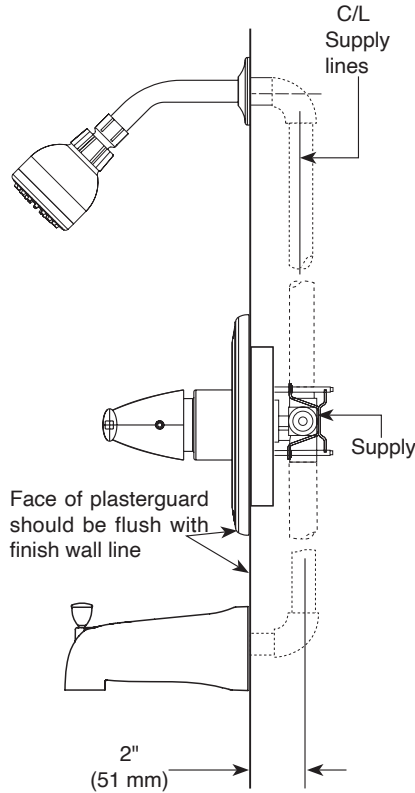
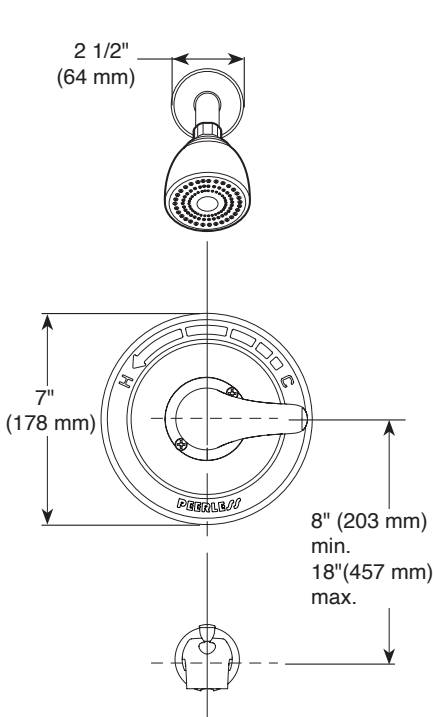


PEERLESS®

PTT188733▲
 PTT188763▲
 PTT188763-▲LHD
 PTT188773▲
 PTT188773-▲LHD



PTT188733▲	PTT188763▲	PTT188763-▲LHD
PTT188773▲	PTT188773-▲LHD	

TUB AND SHOWER FAUCET

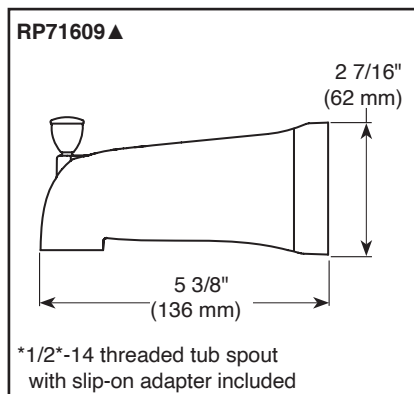
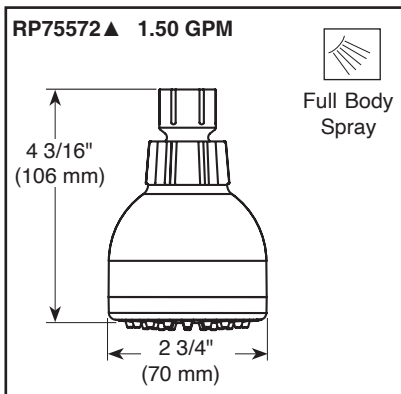
- Valve Only (PTT188733▲)
- Shower Only (PTT188763▲ & PTT188763▲-LHD)
- Tub/Shower (PTT188773▲ & PTT188773▲-LHD)

STANDARD SPECIFICATIONS:

- Maintains a balanced pressure of hot and cold water even when a valve is turned on or off elsewhere in the system.
- For use with MultiChoice® Universal rough valve body (R10000 Series); not included.
- Back-to-back installation capability.
- Temperature only controlled with handle rotating a maximum of 120° from full cold to the full hot.
- Cartridge utilize integral check valve to prevent the cross low of water within the valve.
- Shower head maximum low rate 1.5 gpm @ 80 psi, 5.7 L/min @ 550 kPa.
- Single setting shower head.
- Slip-on tub spout.

WARRANTY:

- Parts and Finish - Lifetime limited warranty; or for commercial purchasers, 10 years for multi-family residential (apartments and condominiums) and 5 years for all other commercial uses, in each case from the date of purchase.



Certified by
 CSA Group
 SHOWER HEADS
 POMMES DE DOUCHE
 CABEZAS DE REGADERA

COMPLIES WITH

- ASME A112.18.1 / CSA B125.1
- EPA WaterSense® - Applies to PTT188763 & PTT188773 only
- Indicates compliance to ICC/ANSI A117.1 - Valve control only